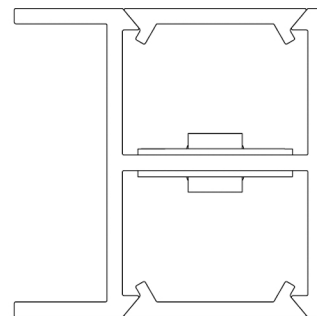


Genoa

Integrated LED Shelf Profile



INSTALLATION INSTRUCTIONS

Product Codes:

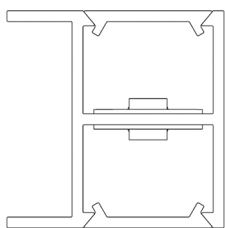
SE18492C0 - 463 x 22 x 20mm

SE18592C0 - 563 x 22 x 20mm

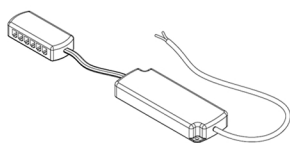
IMPORTANT: Please read these instructions before commencing installation and retain for future reference.

Components

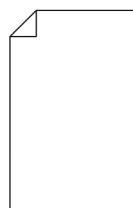
Tools Required



Genoa Integrated LED Shelf Profile



Appropriate Driver



1 x Instructions Manual



Ø9mm Drill Bit



Power Drill

Important Safety Information

Please read these instructions carefully before attempting to install this product. It is advisable to keep these instructions in a safe place for future reference.

We recommend that you consult a qualified electrician. All electrical installation must be carried out in accordance with current IEE wiring regulations (BS7671).

These products must not be modified, if any modification are made, it may invalidate the warranty and may render the product unsafe. These LED lights operate low voltage (24V).

This product is for indoor use only. Keep out of moisture and use only in dry rooms.

- If in doubt, installation must be carried out by a qualified electrician.
- Install on smooth flat surface(s) only.
- Do not exceed or stretch the cable length of each LED wire.
- This product is IP20 Rated.
- This product contains a light source of energy efficiency class E.

Product Wattage:

SE18492C0	7.4W
SE18592C0	8.9W

Safety Instructions

1. Before commencing installation or maintenance, isolate the main electrical supply for the appropriate circuit at the fuse board.
2. This product is only suitable for connecting to a 240V 50Hz supply.
3. The lights should be mounted onto a secure surface.
4. Never exceed the total output of the LED driver.
5. Suitable for furniture lighting.
6. When the lamp expires the fitting must be replaced
7. Class III safety extra low voltage (SELV).

Waste Electrical & Electronic Equipment (WEEE)

The symbol on the product, or on the document accompanying the product, the crossed out wheellie bin symbol, indicates that this product may not be treated as household waste. Instead it shall be handed over to the applicable collection point for the recycling of electrical and electronic waste.

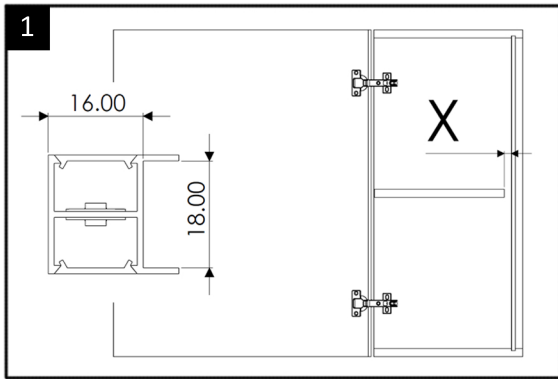


Sensio House, Unit 7, Speedwell Road, Whitwood, Castleford, West Yorkshire, WF10 5PY

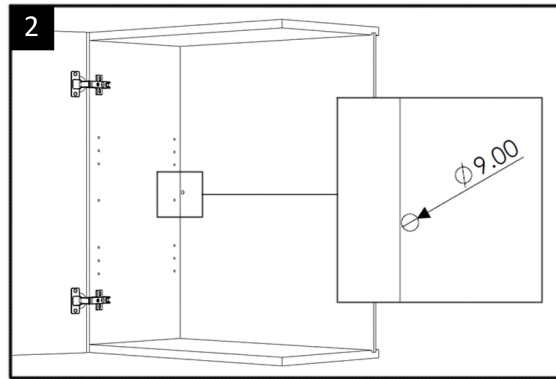
www.sensio.co.uk

Technical drawings for illustration purposes only, Sensio has the right to change any information without prior notice.

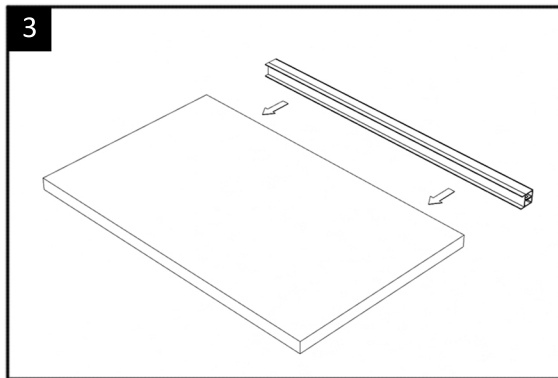
Installation



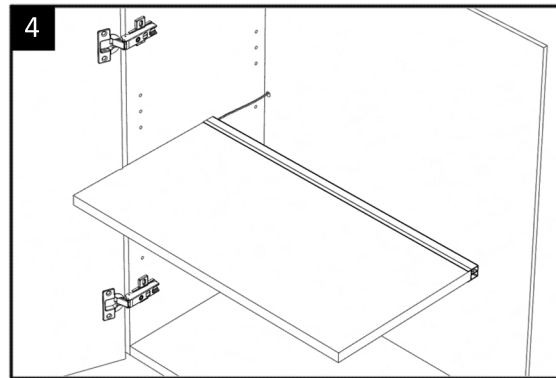
Before installing the Genoa profile, please review the product dimensions shown above and ensure that there is a big enough space between the back of the shelf and the back panel.



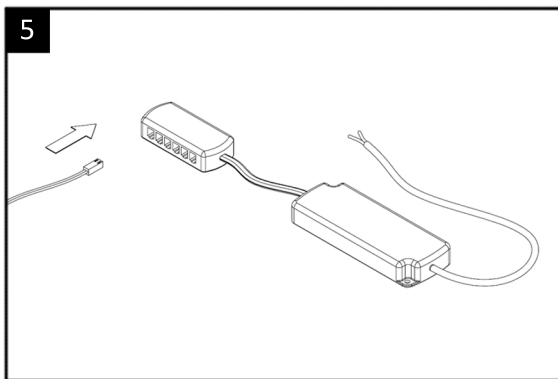
Drill a 9mm hole in the back panel for the driver connection cable. This hole must be positioned behind the shelf in the centre of where the profile will sit and be within 2mm of the side panel.



Clip the profile on to the back of the shelf.



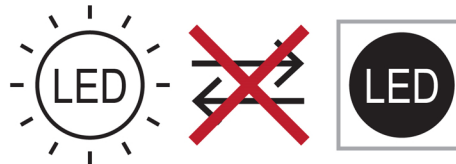
Thread the driver connection cable through the back panel and insert the shelf into the cabinet.



Connect the cable to the driver distribution block. Once complete, either connect the driver directly to the mains supply, or attach a plug.

This product contains a light source of energy efficiency class E.

The light sources in this product are not removable.



Maintenance & Care

- Ensure that the power is disconnected prior to cleaning.
- To keep the finish of this product, wipe over with soft cloth periodically.
- Do not use harsh chemical solvents, this may dis-colour or damage the finish.